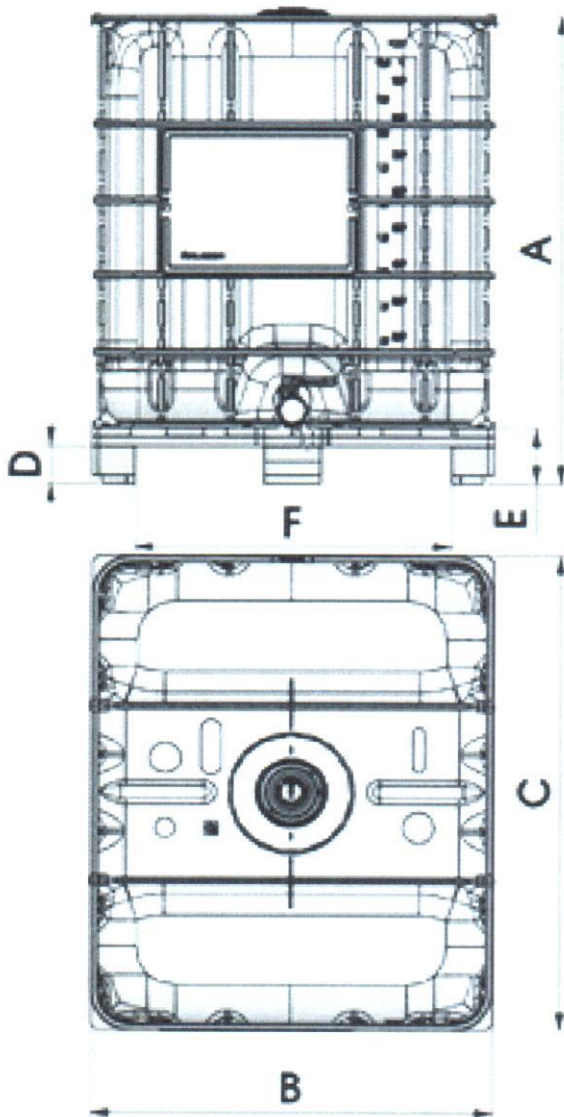


Product Datasheet

description: SM6 HT NAT D150 V/2"F 1 TP
 product group: Composite IBC
 Mauser product no.: IT5C008
 customer item no.:

year: 2013
 revision: 2016-02-08
 page: 1/2



DIMENSIONS

A:	1174.00 mm
B:	1000.00 mm
C:	1200.00 mm
D:	95.00 mm
E:	139.00 mm
F:	790.00 mm
tolerance A:	+5 / -5 mm
tolerance B:	+5 / -5 mm
tolerance C:	+5 / -5 mm

MATERIAL COMPOSITION

plastic:	15.0 kg
steel:	21.4 kg
total:	61.0 kg
tolerance:	+/- 7%
stacking height (up to 25°C) / at a rel. Density of [kg/l]:	
3 pieces high:	1.30
2 pieces high:	1.90
material:	HDPE UV stabilized - PE
material type:	PE-HD, MFI 21.6 = 5-8 g/10min, density 0.945 g/mL

VOLUME

nominal volume [l]:	1000
brimful volume:	1050
min. wallthickness [mm]:	1.40
inner receptable [kg]:	14.5

Product Datasheet

description:	SM6 HT NAT D150 V/2"F 1 TP	year:	2013
product group:	Composite IBC	revision:	2016-02-08
Mauser product no.:	IT5C008	page:	2/2

LABELING

label plate front:	small	label plate side:	./.
label plate back:	none	special label:	no

MODEL

product type:	Composite IBC	discharge opening bottom:	DN 50 (CCS 60 x 6)
volume:	1000 l (275 gal)	discharge opening top:	./.
bottle:	PE standard	SM 6 wooden pallet:	SM 6 N non UN HT
approval category:	./.	approval density:	./.
approval pressure:	0 (solids or non UN)		

COMPONENTS

butterfly valve ETFE:	DN 50 CCS 60 x 6	de-/gassing system:	./.
screw cap plumbed:	./.	filling opening / screw cap:	NW 150 closed
discharge coverplate:	./.	screw cap sealing:	EPDM
plastic cover:	./.	screw cap colour:	black
discharge nozzle:	yes	corner protectors:	./.

STANDARD FILLING PRODUCTS

	max. vapour pressure at 50C	max. vapour pressure at 55C	density PG I	density PG II	density PG III
solid:	./.	./.	./.	./.	./.
water:	./.	./.	./.	./.	./.
acetic acid:	./.	./.	./.	./.	./.
wetting solution:	./.	./.	./.	./.	./.
white spirit:	./.	./.	./.	./.	./.
n-butyl acetate:	./.	./.	./.	./.	./.
nitric acid 55%:	./.	./.	./.	./.	./.
approval:	non UN				

1. Weight of inner bottle and tare weight are referring to the nominal weight of standard design. Special designs (e.g. coloured bottle, different top opening, label plates, etc.) can lead to different weights.

2. be aware of resistance of used gasket material against filling goods. Other gasket materials are available.